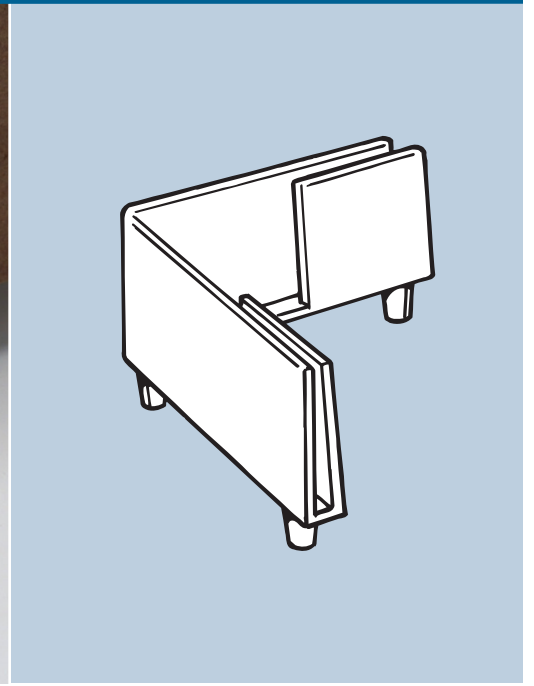


Rigid Display Foot 2215



Features and Benefits

- ◆ Corner style three-point display foot secures and protects display corners at a 90° angle, .5" above the floor; each side 2.5" from corner
- ◆ Holds up to .1875" corrugated
- ◆ White polystyrene

Protect the appearance of corrugated displays

Protect corrugated floor displays with the Rigid Display Foot 2215. Corner style foot elevates displays to protect corrugated from janitorial tasks and help ease mobility.

Specifications

Item No.	Ref. No.	Finish	Pack
8207528800	-	White	1

20190212

For more information,
call **800.422.2547**
or visit www.siffron.com

siffron[™]
always on